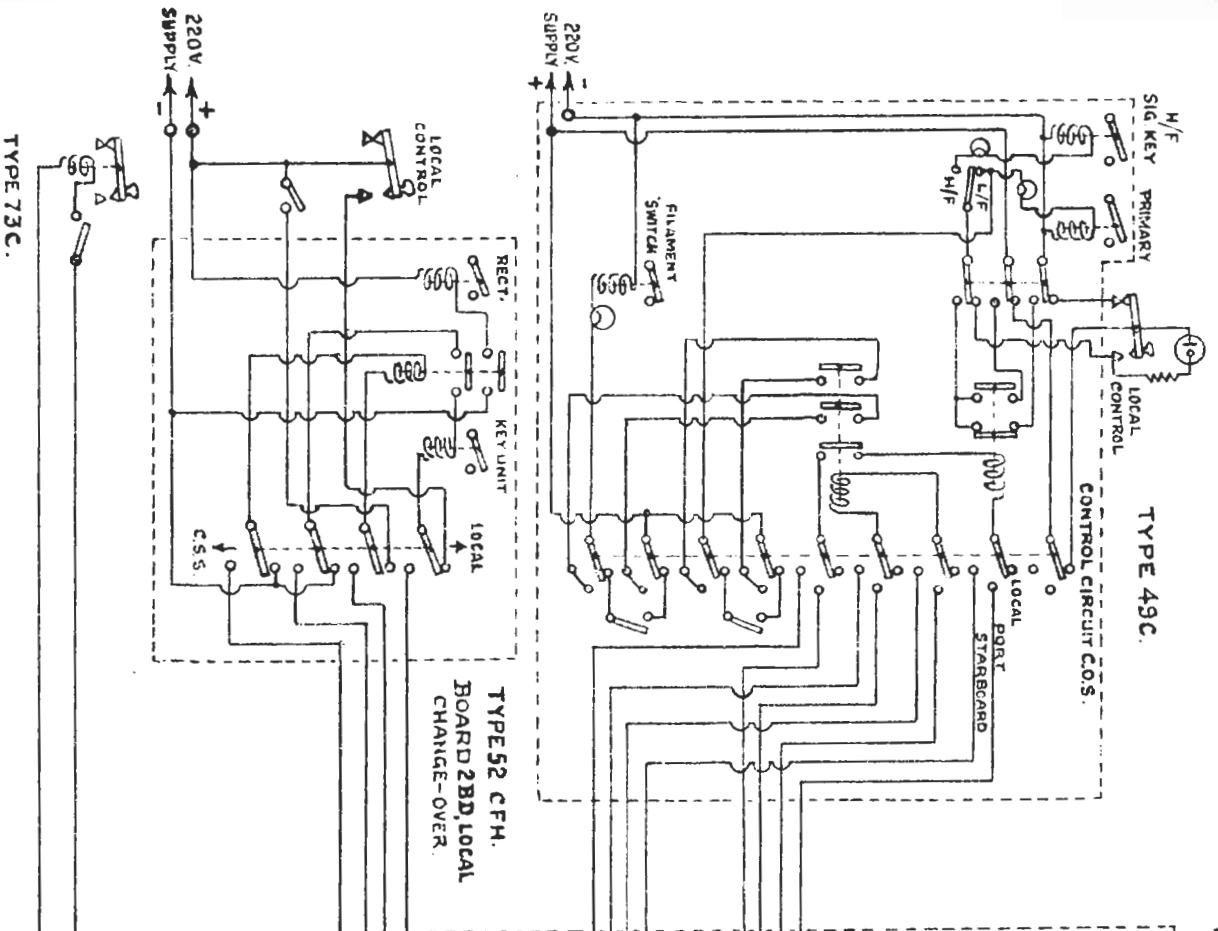
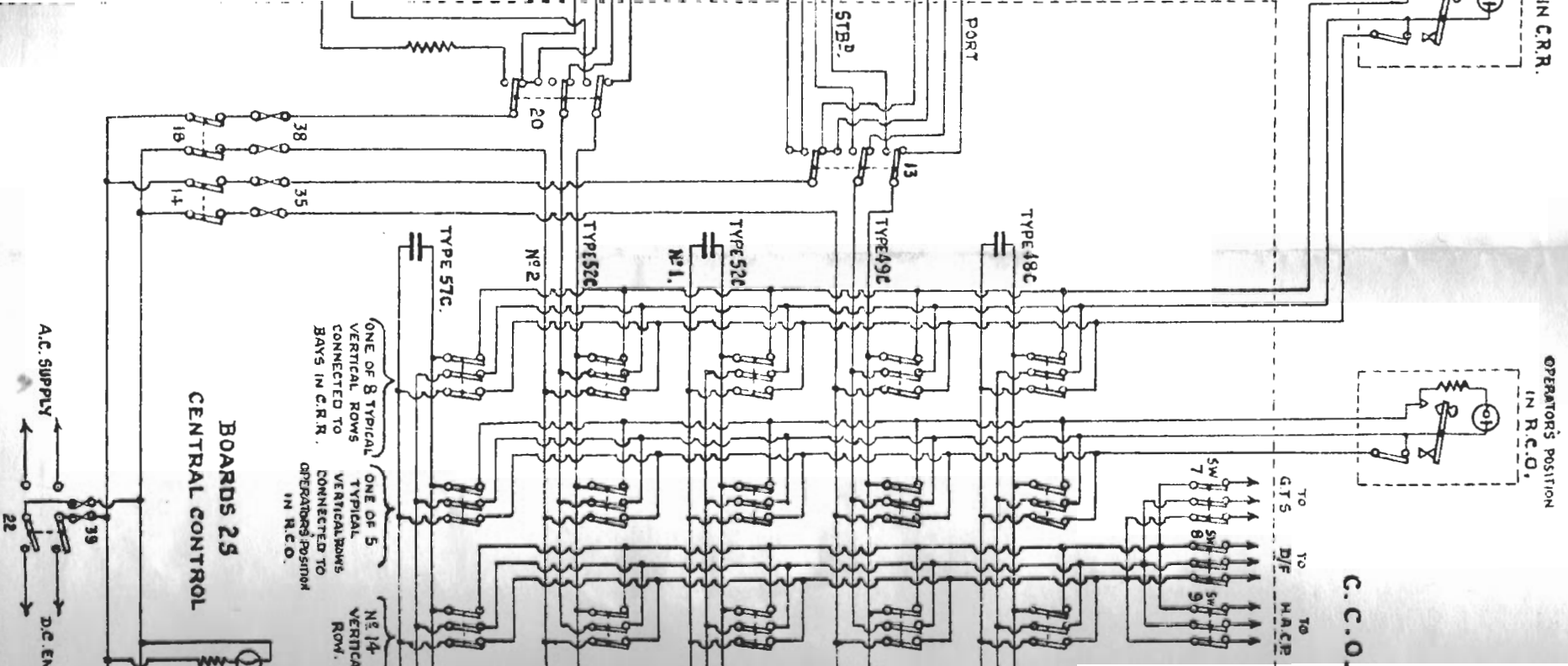


BAY 1

### No 2 TRANSMITTER ROOM



# C.S. TRANSMITTING CONTROL CIRCUITS



# SIMPLIFIED DIAGRAM

N<sup>o</sup> 1 TRANSMITTER ROOM

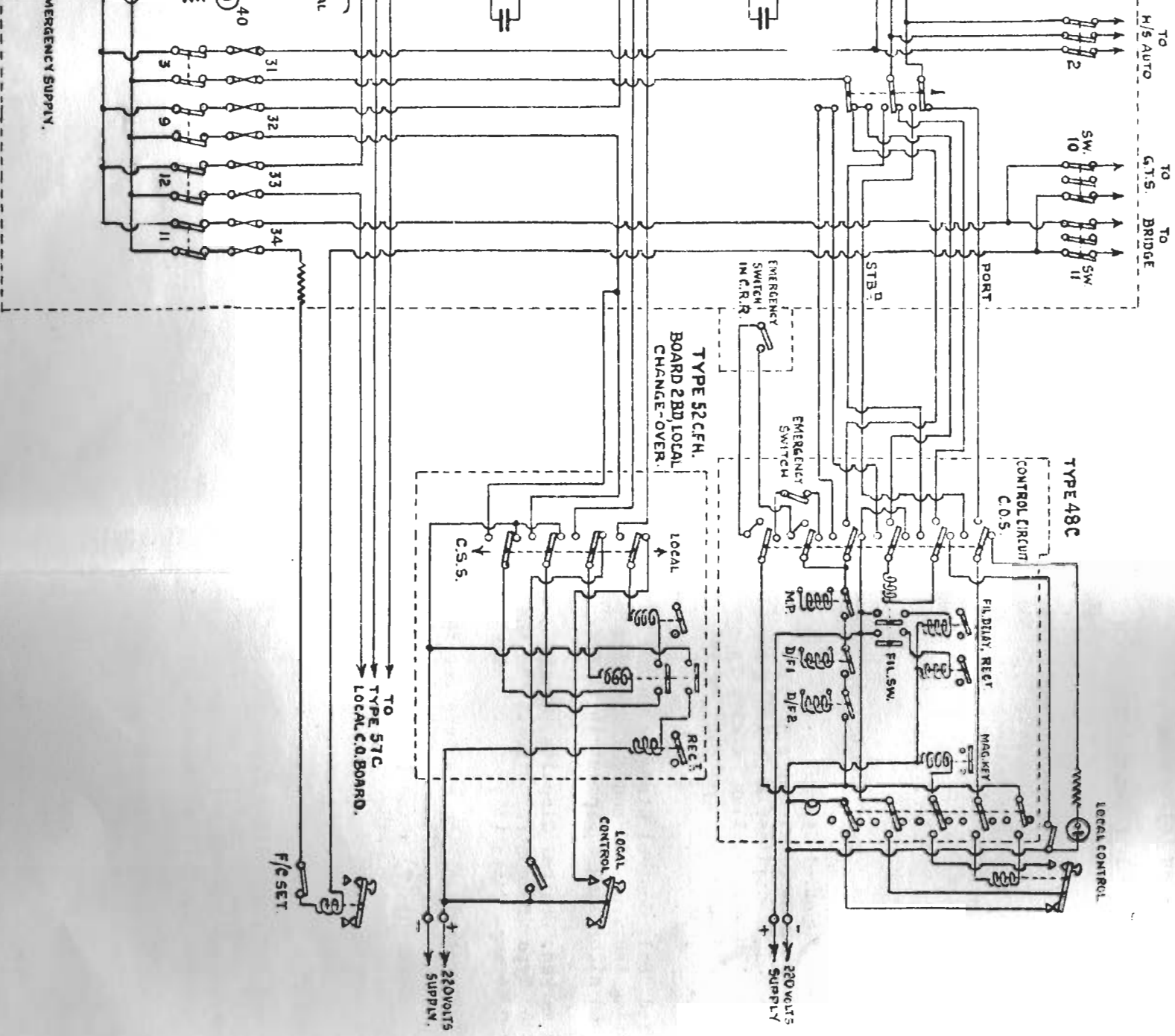


FIG. 3.